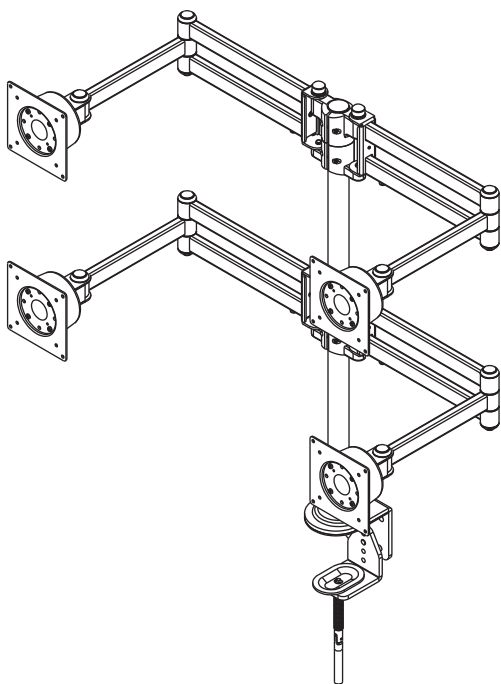
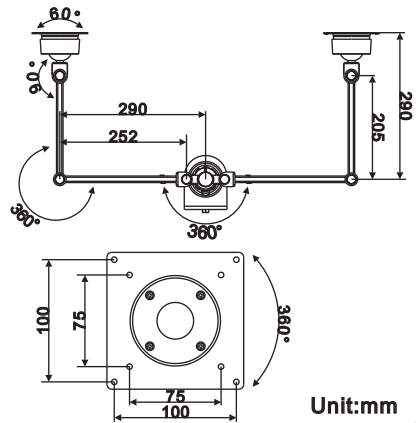
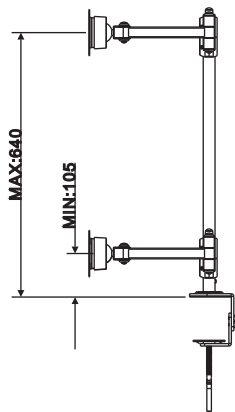


# LCD Monitor Arms

## Specification



1. Apply up to 26" LCD Monitor which weight is less than 15kgs and have VESA mounting
2. Easy to install with the perfect C-clamp desk mount
3. Superior flexibility and movement
4. Meets VESA standard (75x75mm and 100x100mm)
5. Horizontal moving distance:  $\pm 540$ mm
6. Vertical moving distance: 105~640mm
7. Each arm loading: 15kgs
8. Desk thickness range: 10~105mm



Unit:mm

## Parts List

### MAIN PARTS

ITEM	1	2	3	4	5	6
PARTS						
			$\phi 20 \times d 8$	M8	$\phi 18 \times d 9$	
QTY	1	4	12	4	4	4

### PARTS FOR TV BRACKETS

ITEM	7	8	9	10	11	12
PARTS						
		M4X6	M4X8	M4X12	M8	M5
QTY	13	5	16	16	1	1

- Beware of the specification as first page.
- Please choose the thickness of solid table over 10mm.
- Please evaluate the desk material whether is stable for installation.
- Recommend the other persons to hold the monitor.
- Unplug all the cables off the TV.

# LCD Monitor Arms

## Installation

